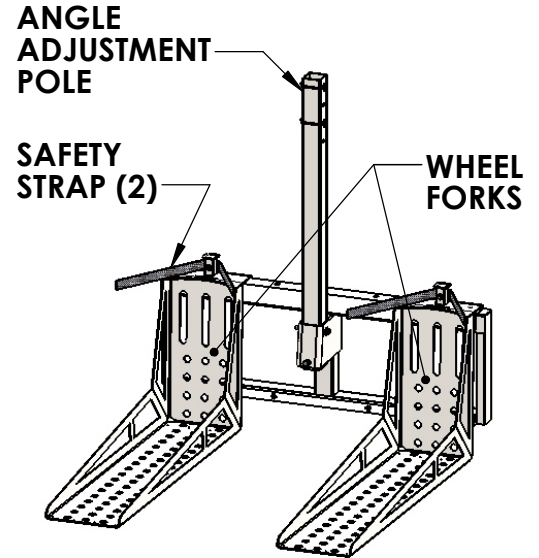
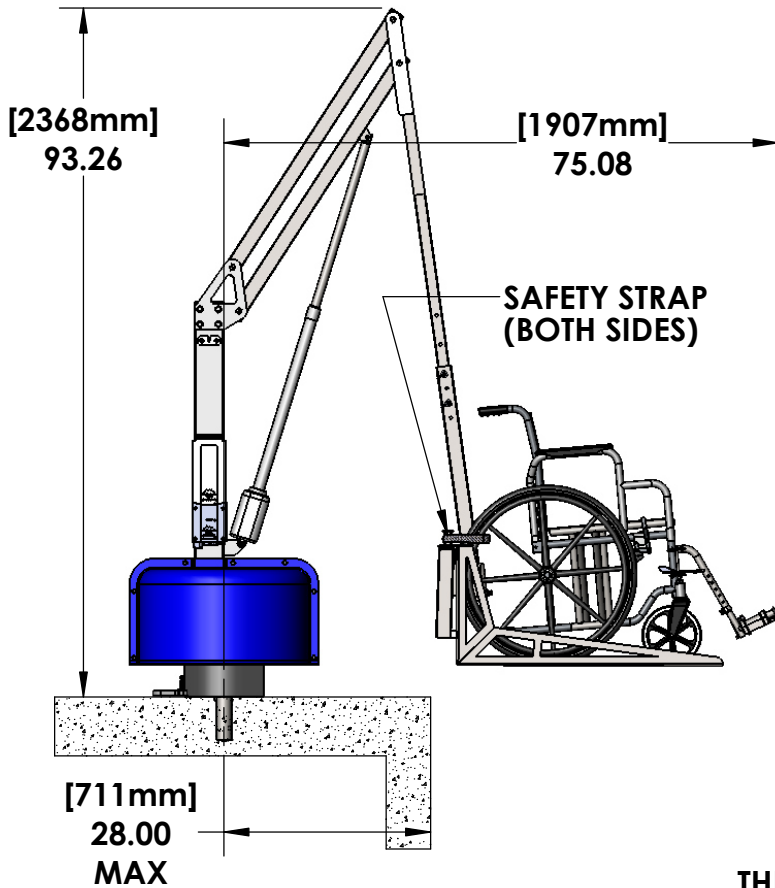
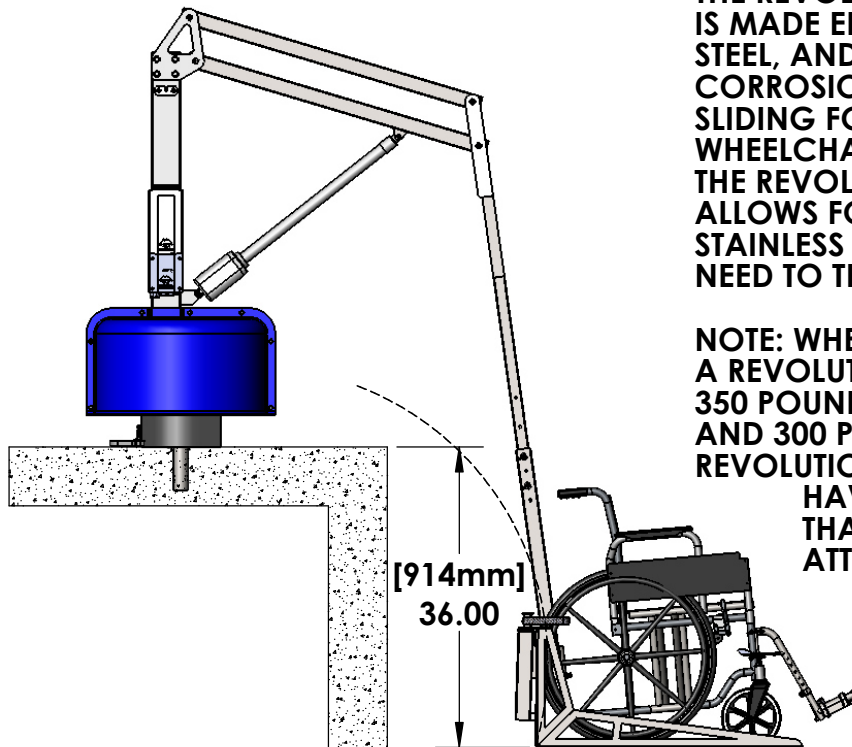


# REVOLUTION WHEELCHAIR ATTACHMENT



**WHEELCHAIR ATTACHMENT**



THE REVOLUTION WHEELCHAIR ATTACHMENT IS MADE ENTIRELY FROM TYPE 304 STAINLESS STEEL, AND IS POWDER-COATED FOR EXTRA CORROSION RESISTANCE. IT ALSO FEATURES SLIDING FORKS FOR USE WITH ANY SIZE WHEELCHAIR AND TWO (2) SAFETY STRAPS. THE REVOLUTION WHEELCHAIR ATTACHMENT ALLOWS FOR POOL ACCESS WITH ANY STAINLESS STEEL WHEELCHAIR WITHOUT THE NEED TO TRANSFER.

NOTE: WHEN USING THE ATTACHMENT WITH A REVOLUTION LIFT, THE LIFT IS DE-RATED TO 350 POUNDS FOR THE STANDARD REVOLUTION AND 300 POUNDS FOR THE DEEP DRAFT REVOLUTION. THE REVOLUTION LIFT NEEDS TO HAVE THE ANCHOR SETBACK NO MORE THAN 28" FOR THE WHEELCHAIR ATTACHMENT.



9889 GARRYMORE LANE  
 MISSOULA, MT 59808  
 (406) 549-0769  
 FAX (406) 549-2602

NOTE:  
 \*SPECIFICATIONS ARE SUBJECT TO CHANGE WITHOUT NOTICE

PRODUCT:	F-705S3	
DWG #:	F-705S3-1	
SCALE:	1:26	DATE: 12/19/2016
DRAWN BY:	KR	REVISION: A